

T8 High Precision Vehicle GPS Tracker

Based on GSM communication technology & GPS high-precision satellite positioning technology

Manual Rev.: 1.0

Revision Date: MAY.7, 2023



Recycled Paper

Updated Version Instruction

Edition	Revision Date	Version Described
V1.0	2023/05/07	Document built

1.Introduction

1.1 Product Introduction

Product: T8 GSM high precision vehicle GPS tracker

This product is based on 2G network and GPS satellite, it realizes positioning and monitoring of any remote target through SMS, application and Internet. Adopt the most advanced GPS and AGPS dual positioning technology. Built-in satellite receiving antenna, positioning accuracy can reach dynamic less than 10 meters, which can meet the requirements of vehicle positioning and tracking. Through technological innovation, this product has the characteristics of high accuracy, high sensitivity, low power consumption, and small size. Its extremely high tracking sensitivity has greatly expanded the coverage of its positioning.

1.2 T8 Features



- ◆ 2G Universal;
- ◆ Ultra-wide voltage input range: DC 9V~90V;
- ◆ GPS continuous positioning, GPRS regular reporting (1 report in 10 seconds by default);
- ◆ Support SMS and platform to query location information;
- ◆ Built-in vibration sensor to realize vehicle intelligent anti-theft.
- ◆ ACC ignition signal detection and vehicle status display;
- ◆ Remote control vehicle by Relay;
- ◆ 100 MAH lithium battery to realize illegal thread cutting alarm.

1.3 Specifications

Product Features				
1. Accurate positioning, with an accuracy of 10 meters 2. GPS Accurate positioning. 3. More Functions: ACC detection, Low power alarm, Wire-Cut alarm, Remote oil control, Overspeed alarm, Vibration alarm, Geo-Fence, ETC.				
Application Area				
Leased Vehicles, Credit Vehicles, Passenger Vehicles, Taxi, Freight Vehicles, Car, Motorcycle, Etc.				
Device Parameters				
Item	Function	Yes	No	Description
Electrical	Power Supply	●		Car Battery

Characteristics	Work Voltage Range	●	9~90V
	Work Current	●	12V/30mA - 80mA
	Sleep Current	●	12V/5mA - 15mA
Environmental Characteristics	Battery Capacity	●	3.7V/100mAH lithium Battery
	Work Temperature Range	●	-30°C~+80°C
	Storage Temperature Range	●	-40°C~+85°C
Communication Characteristics	Operating Humidity Range	●	5%-95%
	Communication Module Brand	●	Mediatek
	Network System	●	2G
	Communication Band	●	GSM: 850/900/1800/1900MHZ
	SIM CARD	●	BIG SIM CARD
Position Characteristics	Communication Antenna	●	Built-in design
	Positioning Type	●	GPS/AGPS/LBS
	Cold Start Time:	●	Cold Start: <30S (Open Sky)
	Warm Start Time:	●	Warm Start: <10S (Open Sky)
	Hot Start Time:	●	Hot Start: <2S (Open Sky)
	GPS Sensitivity	●	-165dBm
	Acquisition Sensitivity	●	-148dBm
Position Accuracy	●	10 M	

1.4 Indicator Definition

A

GPS LED Indicator (Blue LED)	
Flashing	Searching GPS signal
Continuously bright	GPS fixed
Continuously dark	No GPS fix or initializing
Continuously bright to dark	Come in sleeping

B

Power Status Indicator (Red LED)	
Flashing	In the linking with server
Continuously bright	External power ok
Continuously bright to dark	Come in sleeping

1.5 Equipment wiring requirements

The device power supply is DC 9V-90V. The red line is positive pole while the black line is negative pole.

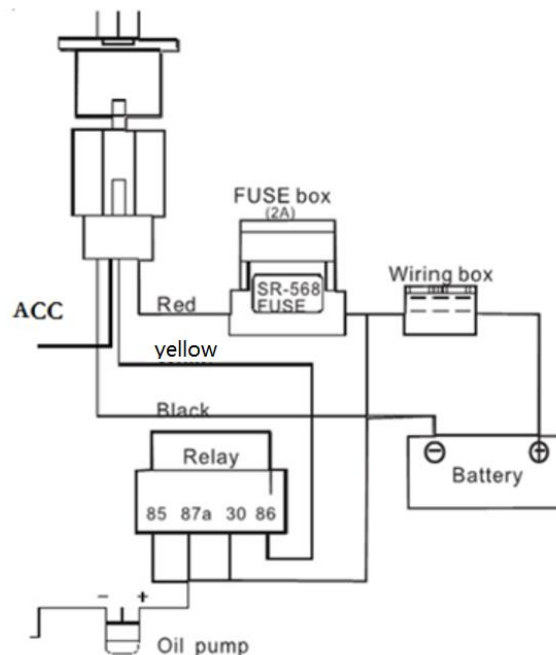
The negative pole of power supply connects with ground or the metals. Please do not connect with other ground lines.

When finishing the power supply wire connection, please make the plug of power supply to the device.

1) T8 2pin wire connection method:

The red line is connected to the positive pole of the power supply, and the black line is connected to the negative pole of the power supply.

2) T8 4pin wire connection method:



2.SMS Command Description

All the commands are SMS command; no case-sensitive; space between parameters.

1)APN Setting		
SMS Command	Parameter	Sample
APN Setting		1: YG,APN:internet# 2: YG,APN:java.claro.com.br,claro,claro#
Command Description	1)Please get APN from the sim card mobile operator in the tracker; 2)It is needed to set APN to make the tracker send data to server.	
Command Feedback	Successful Setting: ok!	

2)Server Setting		
SMS Command	Parameter	Sample
Server Setting	YG,IP:0,58.61.154.247,7018# YG,IP:1,www.18gps.net,7018#	1: YG,IP:0,58.61.154.247,7018# 2: YG,IP:1,www.18gps.net,7018#
Command Description	Server setting is done in factory, normally after APN setting, the tracker will be online.	
Command Feedback	Successful Setting: ok!	

4)Moving Upload Time Setting		
SMS Command	Parameter	Sample
Moving Upload Time Setting	YG,TM:10#	YG,TM:10#
Command Description	1)Default 10 Seconds;	
Command Feedback	Successful Setting: ok!	

8)Relay Action Command		
SMS Command	Parameter	Sample
Oil Cut	YG,RELAY:1#	YG,RELAY:1#
Resume oil	YG,RELAY:0#	YG,RELAY:0#
Command Description		
Command Feedback		

15)Overspeed Alarm		
SMS Command	Parameter	Sample
Enable Overspeed Alarm	YG,SP:1,120#	YG,SP:1,120#
Disable Overspeed Alarm	YG,SP:0,120#	YG,SP:0,120#
Command Description		

20)Parameters Check		
SMS Command	Parameter	Sample

Parameters Check	YGCX#	YGCX#
Command Description		
Command Feedback	Parameters report.	

23)Restart		
SMS Command	Parameter	Sample
Tracker Restart	RESET#	RESET#
Command Description	The tracker will restart.	
Command Feedback		

3.Platform & APP

3.1 Platform:

Website: <http://www.18gps.net>

Login as IMEI

IMEI is in the label on the tracker, it is 15bits numbers.

Enter IMEI

Password:123456

3.2 APP:

Please search **MYGNSS** in Google store or Apple store.

Please choose server as 18GPS--> 18GPS

Login as IMEI

IMEI is in the label on the tracker, it is 15bits numbers.

Enter IMEI

Password:123456

In production, IP, port had been set in, normally the tracker will be auto online after APN setting. If the tracker offline, please get APN from sim card in the tracker mobile operator, then set it by SMS command.

4.Installation

4.1 Preparation before installation

4.1.1 Please open the packing box to check whether the type of device is correct and whether the accessories are included.

4.1.2 This product is a high-tech electronic device, installation should be undertaken by a professional.

4.1.3 Please follow the following procedures to install your tracker, during installation, there should be no power to the device.

4.1.4 Installing sim card:

The device need to insert a sim card which support GSM 2G network. The sim card should be enabled for GPRS.

- 1) Testing sim card: to test sim card, please install it into a normal GSM 2G network mobile phone and ensure it can send and receive SMS, and GPRS enabled.
- 2) Installing sim card: please remove the upper cover of device, insert sim card as shown then

replace cover, lock the shell with 4 bolts.

4.2 Installation

The GPS tracker must be installed under professional personnel.

Note:

1) Please install the device in the hidden place as followings:

Under Front windshield;

In the front instrument panel;

Under back windshield;

2) Avoid being placed with signal radiators like reverse sensor ;

3) The device has antennas inside. Please ensure the receiving side of the device is face up and without metal cover.

Note: The metal cover will lessen the receiving of GPS signals.

4.3 Installation place

There are two kinds of installation: covert and non covert.

4.3.1 If you need the covert installation, please refer installation to an auto electrical contractor.

Note:

1) To prevent theft of the tracker, please install it as covertly as possible.

2) Avoid placing the tracker close to higher power electrical devices, such as reversing radar, anti-theft device or other vehicle communication equipment.

3) The tracker should be fixed into position with cable ties or wide double-side tape.

4) During installation, please make sure the receiving side face is up, with no metal object above the device to interfere with GPS reception. The following places are suggested for installation:

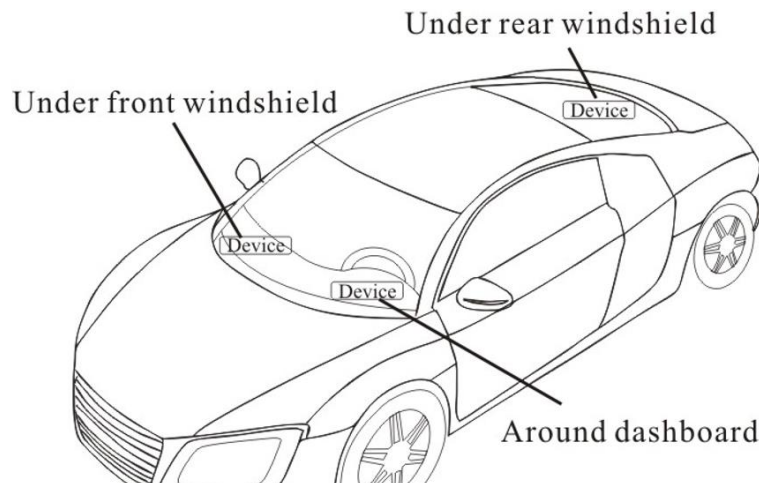


Figure 7 installation place suggested

Under the dash board below the front windshield;

- In the parcel shelf in the rear;

- In the front bumper(non-material face), please ensure the device cannot get wet;

- Under the wiper version (non-metal), please ensure the device cannot get wet.

Notice: If the windshield is pasted with metal thermal-protective coating, it may affect the performance of the device. In this case, please change the installation place after consulting the professional.

4.3.2 Non Covert Installation,

Firstly fix the device on the dash board below windshield.

- In the parcel shelf in the rear;
- In the front bumper(non-material face), please ensure the device cannot get wet;
- Under the wiper version (non-metal), please ensure the device cannot get wet.

Notice: If the windshield is pasted with metal thermal-protective coating, it may affect the performance of the device. In this case, please change the installation place after consulting the professional.

5. Trouble shooting

5.1 The device is not online or offline on the web platform.

5.1.1 The first, please check the three LED working state. If possible. You can call the device's number to check.

- If not connected, the device is out of signal. If the signals cannot reach your location, please drive to the open sky.
- If reminding the device sim card is out of deposit, please make deposit by the telecom operator.
- If you can connect to the device when calling, the sim card has deposited and please check with your operator for GPRS function. You also can check by searching the internet on your mobile phone.

5.2 When GPS unfixed, please drive in the open sky and ensure there is no metal thins on the device.